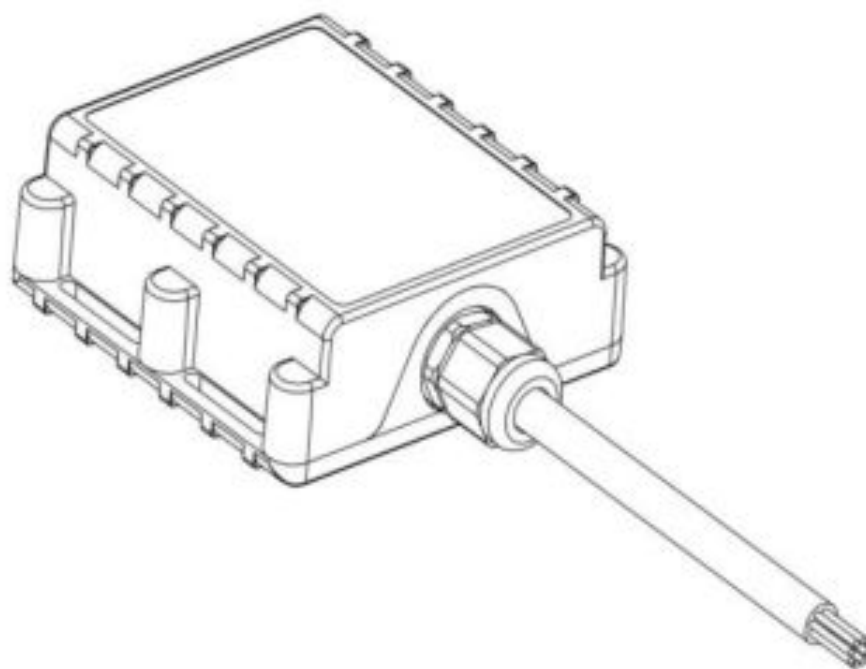


# TQ12-BT Driving journal

## Mounting instruction

---



**Contact TelliQ Customer Center after each installation for function control and configuration of the unit in the TelliQ web-system.**

**+46 589 123 70**

## -TQ12-BT Driver Journal

### -Delivery from TelliQ

- TQ12-BT unit
- RFID-reader (Optional accessories)

### -Consumables

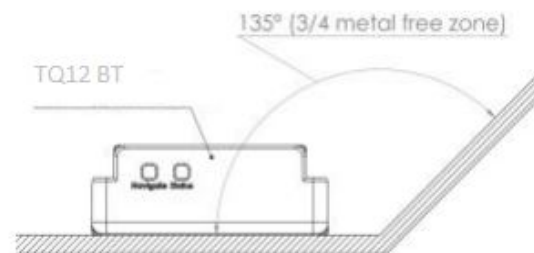
Consumer supplies should provide installer.  
During installation, this can be done:

- Cables for extension
- Fuse Holder
- Fuse 3A
- Cable Ties
- Terminal block

## - Mounting recommendations

### - Installation instructions

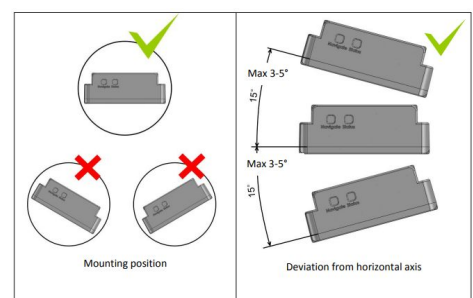
TQ12-BT has internal GNSS and GSM antennas. The device should be mounted with the sticker towards the sky with not less than  $\frac{3}{4}$  of metal free area as shown in Figure. Incorrect mounting may cause misleading positions or poor connectivity.



Best TQ12-BT mounting position is outside of vehicle without any metal above the device. Recommended deviation from horizontal axis of vehicle is max 3-5°, as shown in Figure.

Fasten the unit firmly using cable ties in the dedicated holes on the unit's enclosure. Make the machine powerless by disconnecting the battery before connecting the unit to the machine.

Note if the main power switch is placed on the battery's negative side or the positive side.

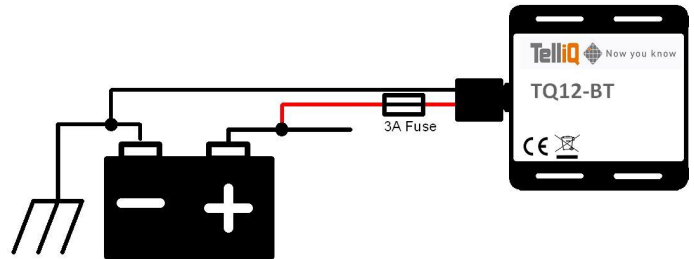


### - Electrical connection

The unit only needs plus and minus (no ignition). Important to secure the unit with 3A fuse.

Start by making the vehicle powerless by first loosening the negative terminal, then the positive terminal from the battery. If there is uncertainty as to whether or not to make the vehicle powerless, contact the vehicle supplier for advice.

- Red conductor is connected to battery +. Secure the coupling with 3A.
- Black conductor is connected to battery.
- Other conductors are used for TelliQ accessories.



**Turn on the vehicle again when installation is complete.**

**If the vehicle will not be used for a long time, we recommend to disconnect the unit to not affect the battery life or cause starting problems!**

### - RFID installation (Optional)

RFID cable wiring:

<u>Wire color</u>	<u>Description</u>	<u>Connects to</u>
YELLOW	VCC	Battery + 10-30 VDC
BLACK	GND	Battery - (ground)
WHITE	1WIRE DATA	TQ12 GREEN
BROWN	Red LED	TQ12 VIOLET
GREEN	Green LED	N/A in standard application

### - GNSS and communication

On the opposite side of the cabling, two LEDs are marked with "Navigate" and "Status".

See how the status is read below: It may take up to 5 minutes before the device connects to TelliQ back office.

Navigation LED	
Behaviour	Meaning
Permanently switched on	GNSS signal is not received
Blinking every second	Normal mode, GNSS is working
Off	GNSS is turned off because: Device is not working or Device is in sleep mode
Blinking fast constantly	Device firmware is being flashed

Status LED	
Behaviour	Meaning
Blinking every second	Normal mode
Blinking every two seconds	Sleep mode
Blinking fast for a short time	Modem activity
Off	Device is not working or Device is in boot mode

## - Function control via the app

When the above steps are completed, the vehicle must be taken out on a shorter trip. Commissioning and installation control is done with TelliQ Driving Journal App available for both iPhone and Android. Log in with your login details, tap the installation icon and follow the on-screen instructions.

Below are links to take home the app:



**iPhone**

<https://goo.gl/pH6CTJ>



**Android**

<https://goo.gl/v2oYfcD>

## - Support

Contact customer center if something in the delivery is missing or if you have questions regarding assembly and function on phone number: **0589 - 123 70** or by email: [kundcenter@telliq.com](mailto:kundcenter@telliq.com). Prepare so that you have information about the vehicle registration number, current meter position, TelliQ unit serial number and vehicle manufacturer available when calling the TelliQ Customer Center.

TelliQ Customer Center is open between 08: 00-17: 00. Please visit [www.telliq.com](http://www.telliq.com) for answers to frequently asked questions.

## -Technical information

Interface TQ12-BT Driving journal

Color	Specification	Connects to:
<b>Red</b>	<b>VCC</b>	<b>Battery + 10-30VDC</b>
<b>Black</b>	<b>GND</b>	<b>Battery - (ground)</b>
Yellow	DIN1	<i>Not used, cable should be insulated</i>
Green/White	DIN2	<i>Not used, cable should be insulated</i>
White	DIN3	<i>Not used, cable should be insulated</i>
Gray	AIN1	<i>Not used, cable should be insulated</i>
White/Orange	DOUT1	<i>Not used, cable should be insulated</i>
Violet	DOUT2	<i>Not used, cable should be insulated</i>
Green	1WIRE DATA	<i>Not used, cable should be insulated</i>
Blue	1WIRE POWER	<i>Not used, cable should be insulated</i>

<b>Power supply:</b>	6 - 30 VDC	<b>Operating temperature:</b>	-40 °C till +85 °C
	1,5W Max	<b>Storage temperature:</b>	-40 °C till +85 °C
<b>Power consumption:</b>	250 mA MAX	<b>Humidity:</b>	5 – 95%
	Normal 27,6 mA		
<b>Backup battery:</b>	NiMH 400 mAh		
	non-condensing		